

Ventris Petroleum Manhole Cover

The Ventris Pressure-Activated Fill Cover (PAF) is made from high-strength aluminum, providing protection against rust, as well as weight reduction. Ventris' Manhole Cover weighs up to 30% less than competitive DOT406 Manhole Covers on the market today.

The 10" PAF is factory set to open at 25 kPa, and features easy-set pressure adjustability without the worry of compromising emergency-venting capacity.

The Ventris Manhole Cover is the perfect choice for new construction, or as a replacement for all older manholes on existing cargo tanks. It meets China Auto Industry standard QC/T requirements.



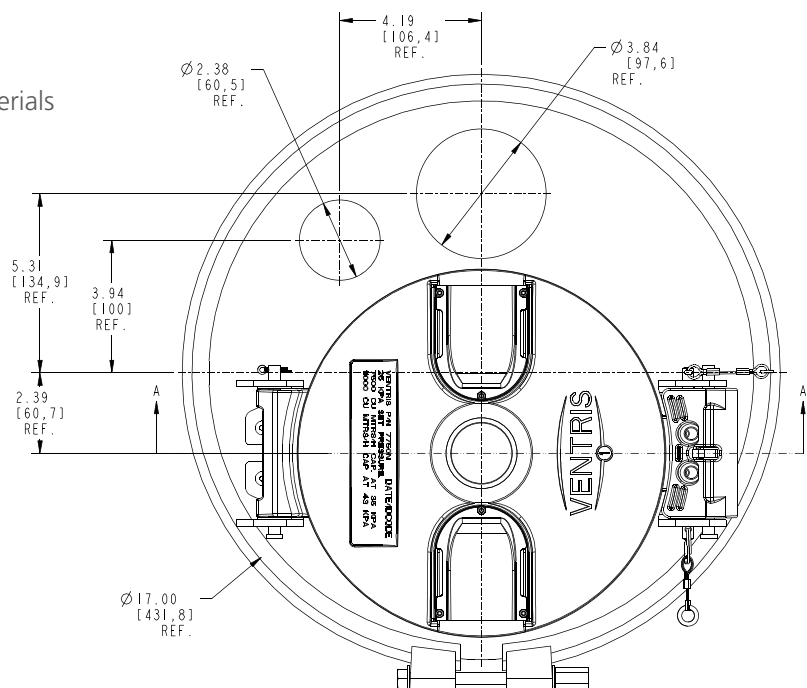
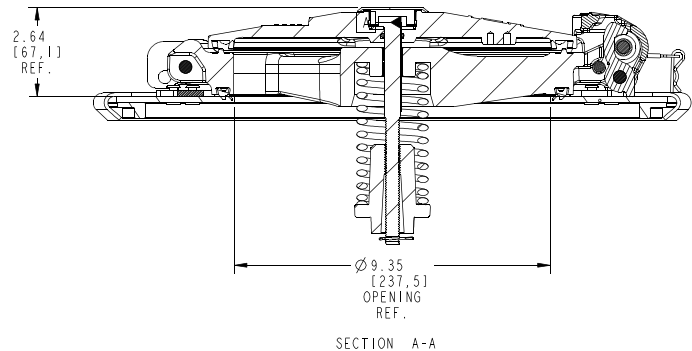
**Ventris Petroleum
Manhole Cover**
PART # VMG16N101110

Features and Benefits

- Pressure-relief setting 3.63 psig
- Easy set-pressure adjustability
- Rated emergency venting capacity of 375,000 scfh at 6.25 psig
- Includes one (1) Pressure/Vacuum Normal Vent. Accommodation for a second Normal Vent is available as an option
- Retrofits to existing collars
- Reversible PAF opening (hinge) direction
- Standard secondary latch
- Buna-N gaskets are standard – optional materials are available upon request

Specifications

- **Materials:**
 - **PAF:** Aluminum
 - **Cover:** Plated Steel (multiple configuration options)
- **Dimensions:** 16" & 20" Cover Options and 10" Fill Opening
- **Weight:**
 - **16":** 14.8 lbs. (6.7 kg)
 - **20":** 18.8 lbs. (8.5 kg)
- **Temperature Rating:** -40°F (-40°C) to 160°F (71°C)



+86 189 1558 3502 ventrisbyopw.com

DELIVERING | WHAT'S NEXT